

Product Group: Trailer Parts

Bulletin No: 111

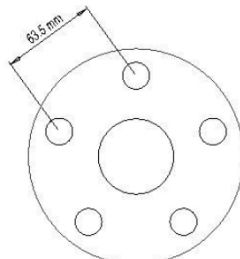
HOW TO MEASURE PCD (PITCH CIRCLE DIAMETER) ON TRAILERS, CARAVANS, BOAT TRAILERS

The Pitch Circle Diameter (PCD) is the diameter of the circle which passes through the centre of all the studs, wheel bolts or wheel rim holes.

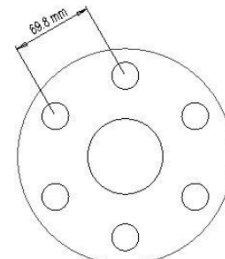
Common Bolt Pattern (PCD) for Trailer Hubs

Ford	1/2" UNF studs	5 Studs	PCD 114.3mm	67.2 mm from stud centre to stud centre
Holden HT	7/16" UNF studs	5 Studs	PCD 108mm	63.5 mm from stud centre to stud centre
Holden HQ	7/16" UNF studs	5 Studs	PCD 120.6mm	70.9 mm from stud centre to stud centre
Commodore	7/16" UNF studs	5 Studs	PCD120mm	70.5 mm from stud centre to stud centre
Landcruiser 80 series	1/2" UNF studs	6 Studs	PCD 139.7mm	69.8 mm from stud centre to stud centre
Landcruiser 100 series	9/16" UNF studs	5 Studs	PCD 150mm	88.2 mm from stud centre to stud centre

Example: 5/108

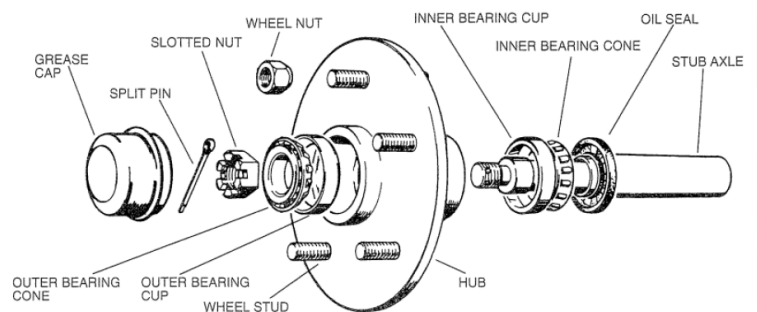


5 Stud



6 Stud

Example: 6/139.7



Visit our online trailer wheel application guide at ... www.csadirect.com.au