

Product Group: Demountable Wide Single Rims

Bulletin No: 45

Mullins Wheels manufactures a range of 11.75" and 14x22.5" Demountable Wide Single Rims for various truck steer and trailer applications.

Wide single rims fitted with wider tyres, enhance steer characteristics on prime movers and may improve load carrying characteristics on certain prime mover and trailer applications.

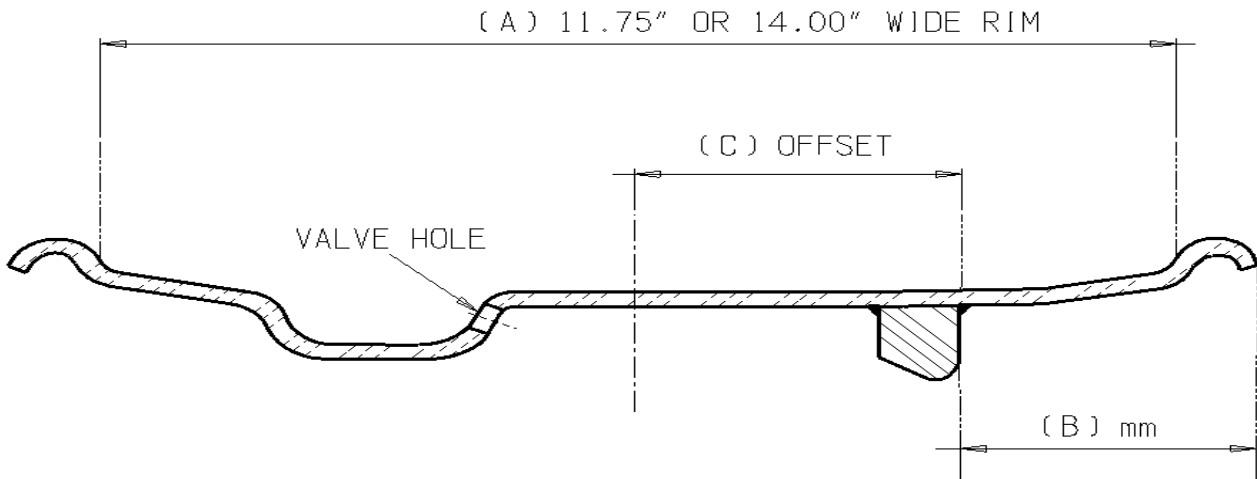
Dual banded wide singles facilitate a change from standard dual trailer tyres to wide single load bearing trailer tyres.



11.75 x 22.5" and 14.00 x 22.5" WIDE SINGLE RIMS HOW TO DETERMINE THE REQUIRED OFFSET

Step 1:	Do you have a 11.75" or 14.00" wide rim ? Dimension (A)
Step 2:	Measure the distance from the outside of the rim (without tyre fitted) to the front of the band in mm Dimension (B)
Step 3:	Read the Chart Below to Determine the Offset Required for your Truck Dimension (C)

Dimension (A) Rim Width	Dimension (B) Outside of Rim to Front of Band	Offset Req'd (mm) Dimension (C)	Mullins Part Number
11.75 x 22.5	143 mm	28 mm	700-725
11.75 x 22.5	117 mm	56 mm	700-730
11.75 x 22.5	103 mm	70 mm	700-755
11.75 x 22.5	93 mm	80 mm	700-735
11.75 x 22.5	73 mm	100 mm	700-740
11.75 x 22.5	63 mm	110 mm	700-745
11.75 x 22.5	Dual Banded Wide Single Rim		700-760
14.00 x 22.5	178 mm	28 mm	700-605
14.00 x 22.5	145 mm	56 mm	700-610
14.00 x 22.5	120 mm	80 mm	700-625
14.00 x 22.5	100 mm	100 mm	700-615
14.00 x 22.5	90 mm	110 mm	700-620
14.00 x 22.5	Dual Banded Wide Single Rim		700-600








VALVE PART NUMBER:

- 28mm OFFSET WIDE SINGLE REQUIRES VALVE PART NO. 405-728
- ALL OTHER WIDE SINGLES REQUIRE VALVE PART NO. 405-727

Dual Banded Wide Singles Rims:

Mullins manufactures Dual banded wide single rims. Dual banded Wide Singles facilitate a change from standard 8.25 x 22.5 dual trailer wheels fitted with 11R22.5 tyres to wider 385/55 R22.5 or 385/65 R22.5 tyres or 425/65 R22.5 tyres (fitted to a 11.75 x 22.5 Rim) or 425/65 R22.5 or 445/65 R22.5 tyres (fitted to a 14.00 x 22.5 Rim).

Standard D-Rim	RIM UPGRADE  TYRE UPGRADE	Mullins Dual Banded Wide Singles	
8.25 x 22.5		11.75 x 22.5	14.00 x 22.5
 Dual Tyres 		 Wide Single Tyre Options 	
11R 22.5 (x2)		385/55 R22.5 385/65 R22.5 425/65 R22.5	425/65 R22.5 445/65 R22.5

DISCLAIMER: Mullins Wheels Pty Ltd recommends that a check be made with the relevant state government transport authority for wheel & vehicle suitability in regards to vehicle track dimensions and wheel and tyre load rating compatibility to the vehicle prior to wheel purchase by the customer.